

# MCC-1 Modulus® Center

## Infinity Loudspeaker Troubleshooting/Repair Tips

Most customers prefer to do simple loudspeaker repairs themselves. By following the steps below, a majority of loudspeakers can be returned to their original factory performance with minimum effort. Choose the example that best describes the problem you are experiencing.

### **Problem 1: No sound or distorted sound from one loudspeaker in a pair (or set)**

Connect the dead/distorting loudspeaker to a different amplifier channel (one that had a functioning loudspeaker connected to it). If it functions normally, the problem is not loudspeaker-related. If the loudspeaker still makes no sound or sounds distorted, a wire may have become loose or disconnected, the network (also known as a crossover) may be defective, the drivers (woofer, tweeter, etc.) may be defective or, in very rare cases, all may be defective.

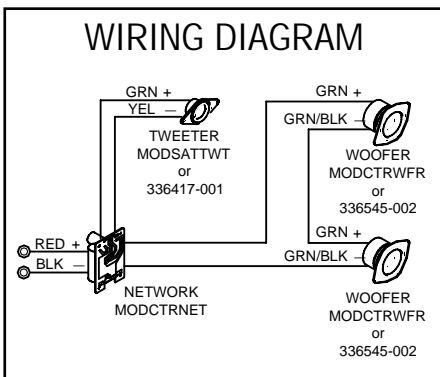
Refer to the wiring diagram and exploded view below. The network is a small circuit board found on the inside of the terminal cup, or mounted to an inside wall of the enclosure. It sends low-frequency sounds to the woofer, high-frequency sounds to the tweeter and, if applicable, mid-frequency sounds to the midrange driver. Make sure all wires are secure and connected. Look for components on the network that look burnt, "bulged," or abnormal. If everything looks normal, connect the network to the drivers from another matching loudspeaker. **MAKE SURE** you attach the correct wires to each driver – mid- and low-frequency sounds can damage the tweeter! If there is still no sound or distorted sound, the network is defective. If there is clean undistorted sound, the drivers are defective.

### **Problem 2: No sound or distorted sound from one or more (but not all) drivers in an enclosure**

Remove the problem driver(s) from the enclosure and make sure all wires are secure and connected. If they are, proceed with the following test:  
**Woofer or midrange driver** – Connect the driver's + and – input terminals directly to the loudspeaker wires from your receiver/amplifier and play some music at a reasonable volume. If the driver now sounds normal (produces a clean, undistorted sound), the network is most likely defective.  
**Tweeter** – Replace the tweeter with a functioning tweeter from another loudspeaker. If the tweeter now functions normally (produces clean, undistorted sound), the original tweeter is defective. If the replacement tweeter also sounds distorted or produces no sound, the network is most likely defective.

### **Problem 3: Loudspeakers distort, rattle or pop at higher volumes**

This is usually NOT a loudspeaker problem. Common causes are too much power (playing the loudspeakers too loud and causing them to distort), an amplifier with not enough power (the amplifier can't produce the required volume without distorting), excessive equalization (turning the tone controls too far clockwise, and/or engaging the loudness/bass boost button on your receiver) or some combination of the above. If only one loudspeaker is exhibiting the problem, and you're confident that it's not caused by too little power/too much power/excessive equalization, see solutions for Problems 1 and 2.



- TO SERVICE THE MODULUS MCC-1 CENTER**
- Remove the grille.
  - Remove the (7) exposed rubber grille retainers; this can be accomplished by carefully pulling them out of their cavities with long-nosed pliers or similar tool.
  - Remove the (7) Phillips screws that are now exposed.
  - Four additional screws lie underneath the two front trim panels; these can be carefully removed by applying a blow dryer (high or maximum) or heat gun to the trim panels. Take care not to direct the gun directly at the woofer or tweeter; do not burn yourself after each panel has been heated – gloves are recommended. See illustration.
- If either trim panel is damaged upon removal, order:  
 part# MODCTRPLATE-L – Left Trim Panel  
 part# MODCTRPLATE-R – Right Trim Panel
- Remove the (4) additional Phillips screws that are now exposed.
  - Carefully lift the front baffle, with drivers attached, off the cabinet.
  - Reassembly: Adhesive already in place, if encrusted on the front baffle, must be removed by scraping it off as it may prevent the trim panel from sitting flush on the front baffle. New adhesive must be added to reattach the trim panel.

ITEM NO.	DESCRIPTION	QTY.	PART NO.	ITEM NO.	DESCRIPTION	QTY.	PART NO.
1.	Complete Center Speaker, Charcoal	1	MODCTRCHAR	8.	Grille cup, Platinum	7	MODSATGUPPLAT
	Complete Center Speaker, Platinum	1	MODCTRPLAT		Grille cup, Charcoal	7	MODSATGUP or 336880-002
2.	Woofer for Modulus Center	2	MODCTRWF or 336545-002	9.	Left trim panel for Center	1	MODCTRPLATE-L
3.	Network	1	MODCTRNET	10.	Red binding post	1	MODSATBP-R
4.	Tweeter	1	MODSATTWT or 336417-001	11.	Black binding post	1	MODSATBP-B
5.	Right trim panel for Center	1	MODCTRPLATE-R	12.	Owner's Manual	1	336782-001
6.	Grille, complete with cloth, Charcoal	1	MODCTRGRCHAR	13.	Survey Card	1	335868-002
	Grille, complete with cloth, Platinum	1	MODCTRGRPLAT	14.	Warranty Card	1	335841-001
7.	Logo for Modulus Center	1	MODCTRLOGO (Charcoal)	15.	Rubber pad, Right	1	MODCTRPRADR
				16.	Rubber pad, Left	1	MODCTRPRPADL
				17.	Rubber hook	1	MODCTRHOOK